



Športne igre KOŠARKA zunanja

Osnovni podatki

E13300M KOŠARKA ZUNANJA ENOCEVNA 165cm – EN729/ISO3834, EN1270- TIP7C

je fiksno vgradno stojalo s projekcijo 165 cm primerna za zunanja košarkarska igrišča. Vroče pocinkana konstrukcija montažne izvedbe je sestavljena iz nosilnega stebra dimenzije 15x15cm, nosilne roke dimenzije 12x12cm in dveh opor, priključne plošče ter vijakov za montažo plošče in obroča. Dimenzija nosilnega stebra zagotavlja stabilno konstrukcijo koša, montažna izvedba konstrukcije pa enostaven transport in montažo koša po betoniranju stebra v zato pripravljeni armirano-betonski temelj.

1. E13301CM Enocevna montažna konstrukcija koša 165cm

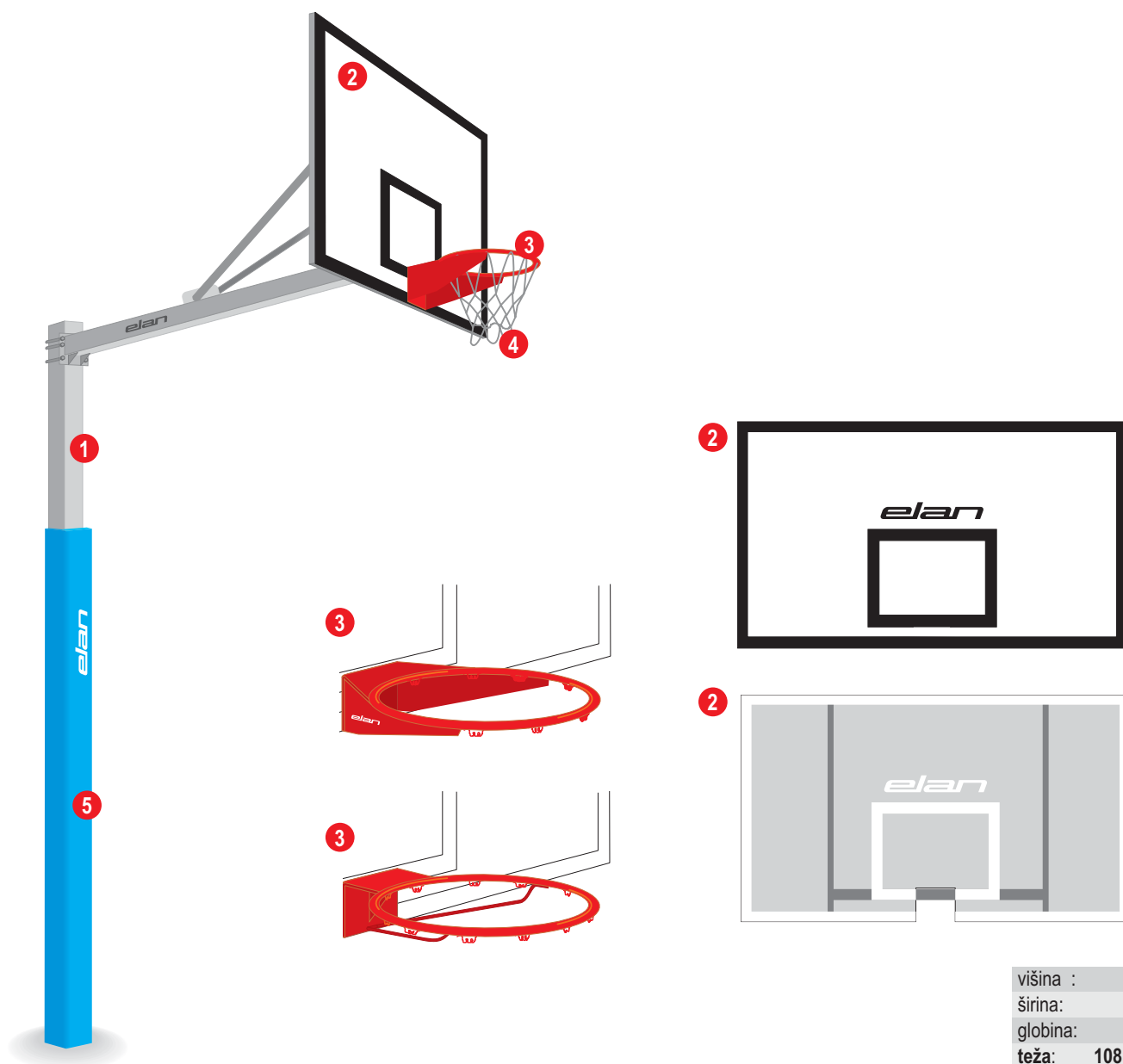
- Steber 15x15cm (~ 70 kg)
- Nosilna roka 12x12cm (~ 32 kg)
- Opora plošče
- Priključna plošča plošče in obroča
- Vijaki za montažo

Oprema:

2. **T13365 Plošča poliester 180x105cm**
3. **E13201 Obroč za košarko – KR PAN**
4. **E13304 Mrežica**
5. **E13307 Mehka zaščita stebra 200x21x21cm**

Opomba:

Za vgradnjo konstrukcije potrebno zagotoviti armirani betonski temelj izdelan po zahtevah dobavitelja konstrukcije koša, ki dopušča izbiro tudi druge opreme(poz. 2,3 in 4)



višina :	
širina:	
globina:	
teža:	108 kg

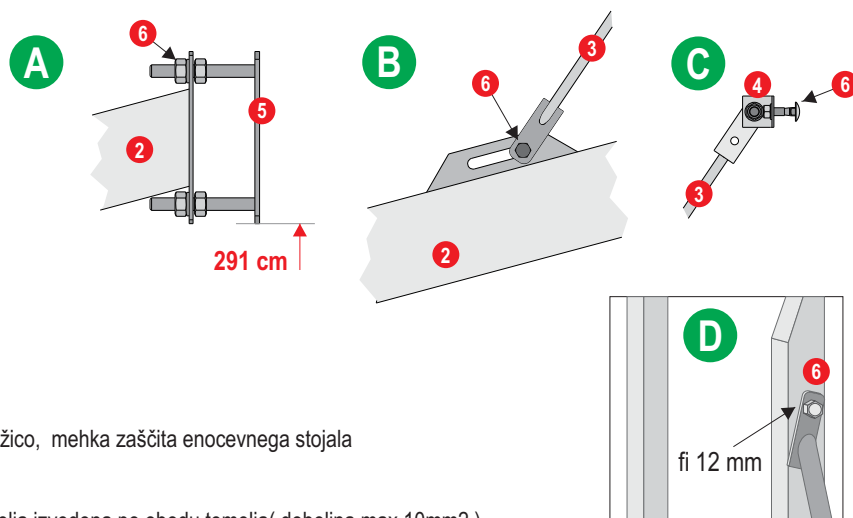


Športne igre KOŠARKA zunanja

Navodilo za montažo

E13301CM ENOCEVNA KONSTRUKCIJA KOŠA 165cm – EN1270 tip 7C

- | | |
|---------------------------------------|------------------------|
| 1. Steber 15x15cm (~ 70 kg) | (1 kos) |
| 2. Nosilna roka 12x12cm (~ 32 kg) | (1 kos) |
| 3. Opora plošče | (2 kos) |
| 4. Kotnik opore | (2 kos) |
| 5. Priključna plošča plošče in obroča | (1 kos) |
| 6. Vijaki za montažo | (1 grt) |
| - U vijak M16 | A (3 kos) |
| - matica M16 | A, E (16 kos) |
| - podložka 30/17 | A, E (16 kos) |
| - vijak M12x30 | B, D (3 kos) |
| - matica M12 | B, D (6 kos) |
| - podložka 24/13 | B, D (3 kos) |
| - sponski vijak M10x40 | C (2 kos) |
| - matica M10 | C (2 kos) |



OPREMA:

Plošča poliester, lesena 180 x 105 cm (120 cm) (C)

Plošča akril 180 x 105 z AL okvirjem (D), obroč z mrežico, mehka zaščita enocevne stojala

MONTAŽA:

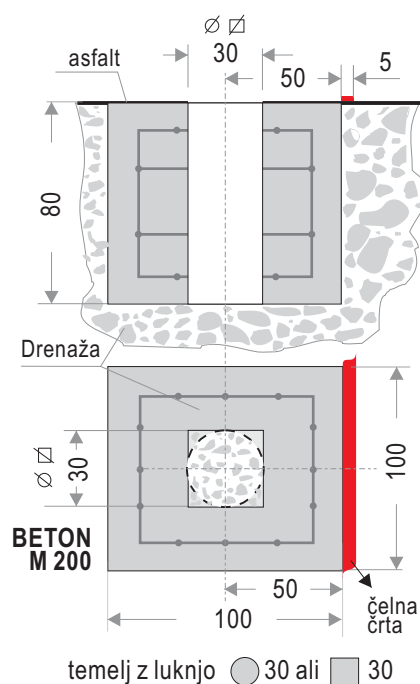
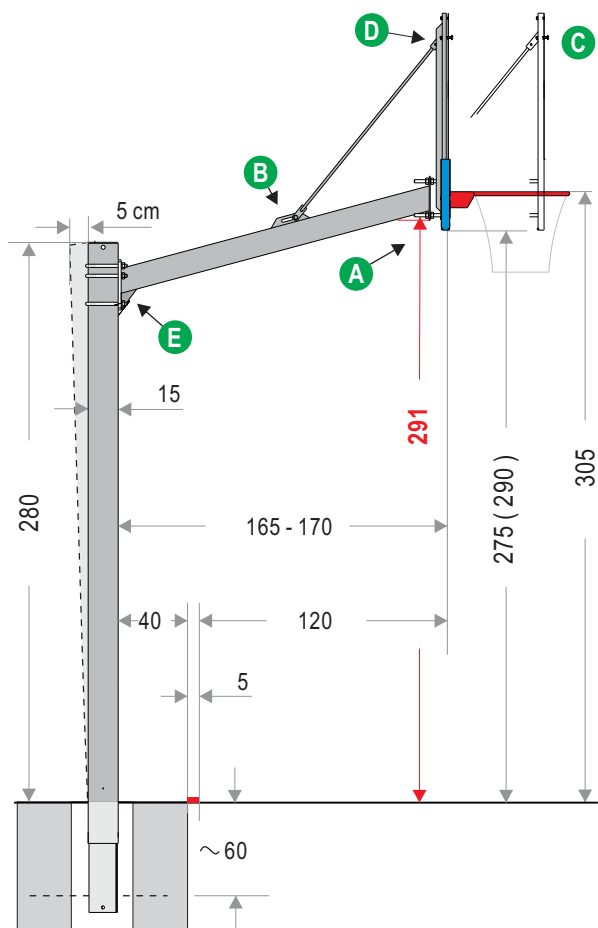
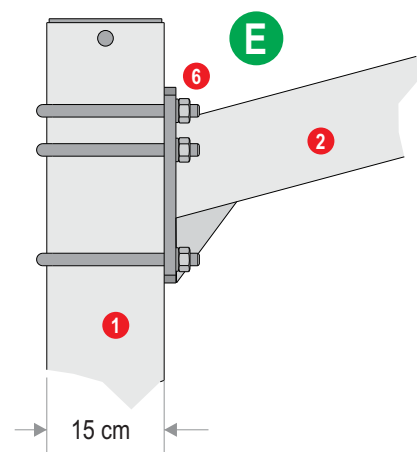
Priprava temelja za montažo (investitor) Armatura temelja izvedena po obodu temelja(debelina max.10mm2)

1. Faza:

- Postavitev stojala (zalitje z betonom) v pripravljen betonski temelj, po dimenzijah iz načrta;
- * stojalo se vgradi z odklonom vertikalne cevi 5 cm nazaj na višino 291 cm

2. Faza:

- 24 ur po betoniranju montiramo še nosilno roko in ostalo opremo (2, 3, 4, 5, 6)
- priključna plošča (5) z vijaki omogoča fino montažo plošče po horizontali in vertikali.
 - Opora plošče (3) se prilagodi tej poziciji
 - luknje v ploščo izvrtamo po navodilih (poliester ali lesena plošča) (C)
 - luknje v AL okvir za oporo akril plošče, vrtamo na montaži (D)



 Zurück zur Übersicht

 Produkt zurück

 Information

 Ansicht

 Video

 Download

 Drucken

 Merken

 Empfehlen

 Produkt vor

CITYTOR® ORIGINAL II - SOCCER FIELD GOAL

Item No. 7041001

Equipment room	3.00 x 2.00 x 0.80 m
Weight heaviest part	190 kg
total weight	220 kg
Assembly time	0.50 hours
Assembly personnel	2 persons
Required foundations	2x 1.00 x 0.40 x 0.50 m



Stable, dismantlable frame construction made of steel tubes; Front goal frame made of tubular steel D = 82.5x3.2 mm, rear and side frame made of tubular steel D = 60.3x2.9 mm; Spray galvanized and powder coated.

Goal nets (side and rear) made of 4-strand Hercules rope with a high proportion of steel and polypropylene sheathing, D = 8 mm, black, clear mesh size approx. 35 mm (horizontal) x 120 mm (vertical), on a net in the roof area was due to the standard DIN EN 15312 waived, connection of the network crossing points by means of smb ellipse nodes, connections between frame and network by means of smb-ROWOCON® sleeves!

The nets are secured with stainless steel studs in the smb-ROWOCON® sleeves. In order to prevent unintentional loosening of the screw connections, the thread of the stud screws was previously coated with a microencapsulated adhesive. The thin-walled microspheres are destroyed during assembly. The adhesive fills the space between the threads. The screw connection via the ROWOCON® sleeves makes it possible to easily replace individual goal net elements.

The gate is screwed to the ground using concrete anchors. The screw connections used for fastening are invisible and protected in the tubular frame!

Color for the rope:



Kosmoschwarz

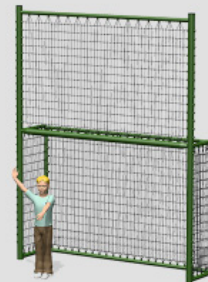
Note: Other colors are possible on request.

NOGOMETNI GOL

GATE ELEMENT

Art. No. 6805006

Fence grid dimension	3.08 m
Post height	3.97 m
Mesh size (axis dimension) fence net	60 x 120 mm
Mesh size (axis dimension)	44 x 130 mm
Weight heaviest part	72 kg
Foundations	2x 1.50 x 0.50 x 0.70 m



We manufacture the systems on request according to your wishes and space.

[Zum Kontakt](#)

Color for the rope:



Kosmoschwarz

Note: Other colors are possible on request.

Selectable colors for the steel parts:

NOGOMETNI GOL Z NADVIŠANJEM



SOCCER COURT SILENTIQ® L

Fence grid dimension	2.50 m
Post height	3.97 m
Mesh size (axis dimension)	60 x 120 mm
Weight heaviest part	41 kg
Foundations (per post)	0.90 x 0.90 x 0.70 m



This is a planning example with 3 elements from the Soccer Court SILENTIQ® "L".

After a detailed consultation we are happy to manufacture systems according to your wishes and space.

[Zum Kontakt](#)

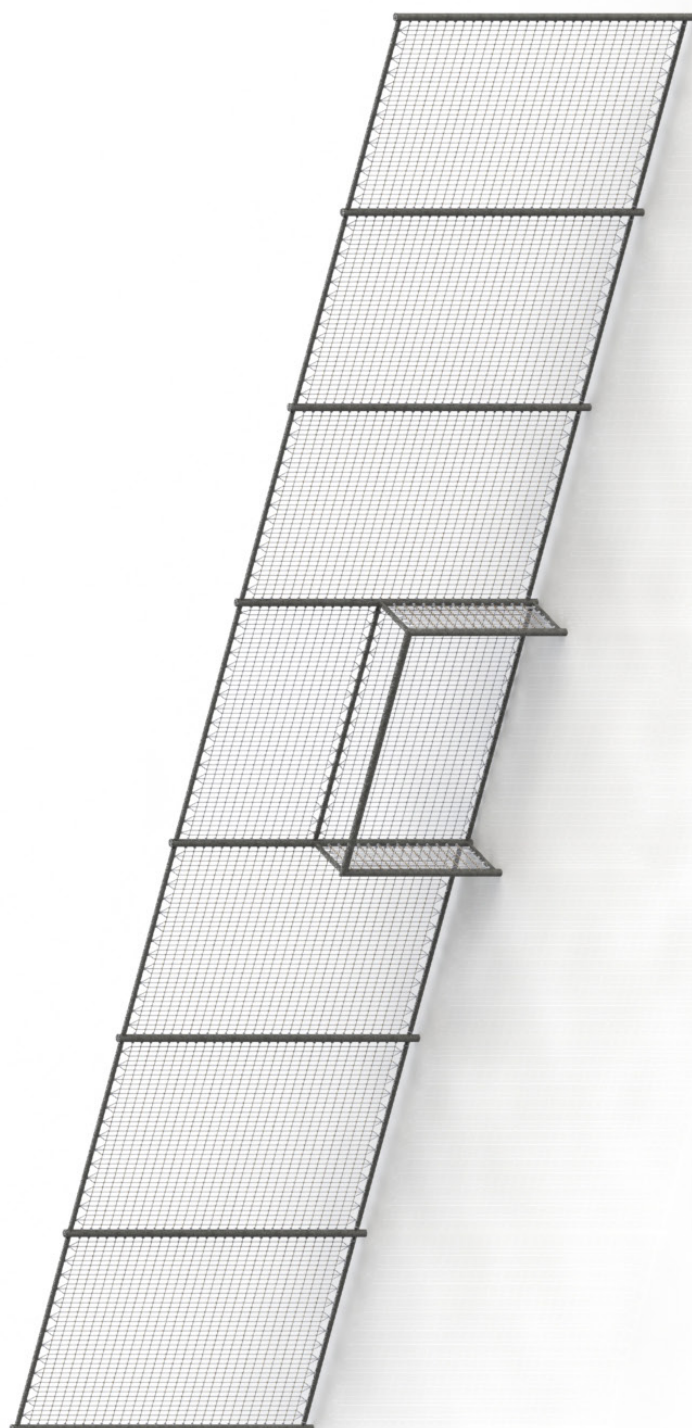
Color for the rope:



Kosmoschwarz

Note: Other colors are possible on request.

4 M LOVILNA MREŽA



KOMBINACIJA 4 M LOVILNE MREŽE IN NOGOMETNEGA GOLA Z NADVIŠANJEM

FRE3025

Basketball Goal



Basketball goal, nylon net

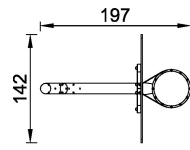
Product Line	Multisport
Category	Goals & Accessories
Age from	3+
Total height (cm)	368



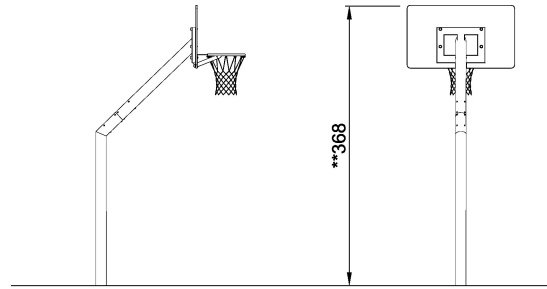
**SUR-
FACE**

**IN-
GROU.**





FRE3025
**368cm
1:100



FRE3025
1:100

* = Highest designated play surface.
** = Total height of product.

Weight/heaviest parts	kg.	Installation (Manpower)	Persons
Concrete required	NaN m3	Installation (Hours)	Hours
Foundation amount/footing	NaN	Excavation	NaN m3

FRE3031

Multisport Poles (12 m net)

KOMPAN[®]
Let's play



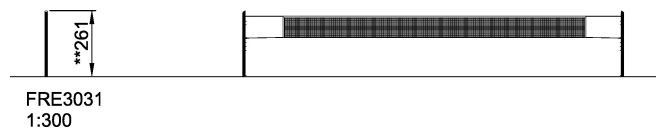
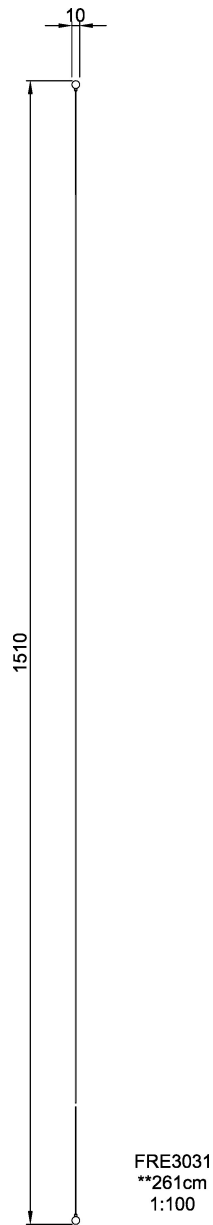
Stand alone multi sport nets can be used for all kinds of net games. Tennis, badminton, volleyball and kids own invented games.

Product Line	Multisport
Category	Goals & Accessories
Age from	3+
Total height (cm)	261



IN-
GROU.

ASTM



* = Highest designated play surface.
** = Total height of product.

Weight/heaviest parts	kg.	Installation (Manpower)	Persons
Concrete required	NaN m3	Installation (Hours)	Hours
Foundation amount/footing	NaN	Excavation	NaN m3



MIZA ZA NAMIZNO TENIS